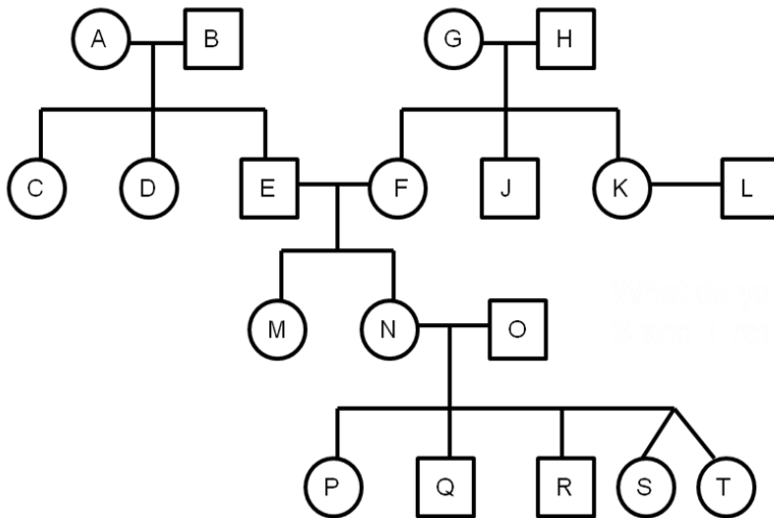


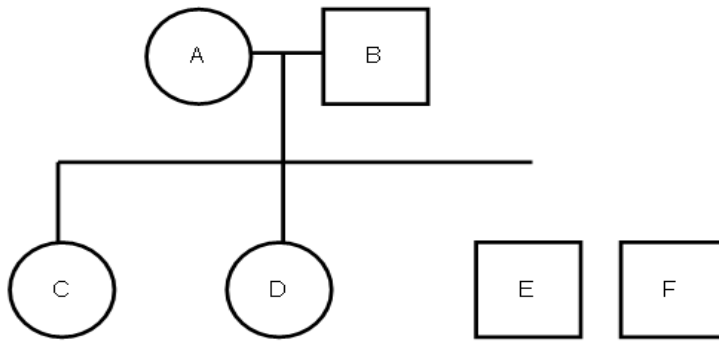
# Example #3



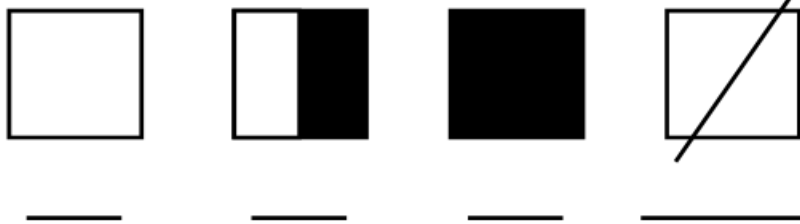
10. How many couples have children?

11. What do you think S and T represent?  
\_\_\_\_\_

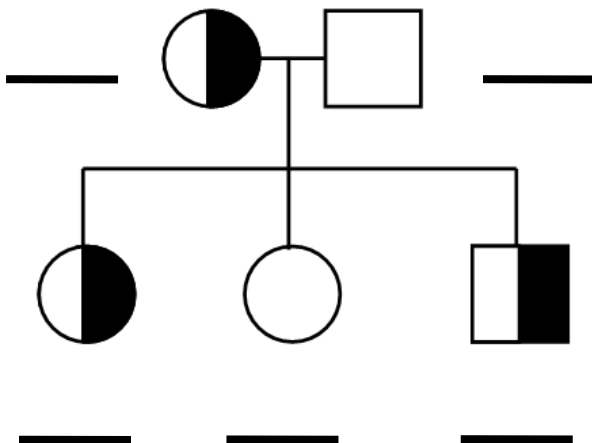
12. How do you show twins?



13. How do you show traits? \_\_\_\_\_ ( \_\_\_\_\_ = \_\_\_\_\_ )



14. A pedigree chart follows \_\_\_\_\_.



R = \_\_\_\_\_

r = \_\_\_\_\_

